



Visualisation; Diagnostics

Easy to Configure

Programming IEC 61131-3

Rapid Installation

PSEN sl-0.5n 1.1

PILZ

THE SPIRIT OF SAFETY

► PSEN sensor technology

This document is a translation of the original document.

All rights to this documentation are reserved by Pilz GmbH & Co. KG. Copies may be made for internal purposes. Suggestions and comments for improving this documentation will be gratefully received.

Source code from third-party manufacturers or open source software has been used for some components. The relevant licence information is available on the Internet on the Pilz homepage.

Pilz®, PIT®, PMI®, PNOZ®, Primo®, PSEN®, PSS®, PVIS®, SafetyBUS p®, SafetyEYE®, SafetyNET p®, the spirit of safety® are registered and protected trademarks of Pilz GmbH & Co. KG in some countries.



SD means Secure Digital

Introduction	5
Validity of documentation	5
Using the documentation	5
Definition of symbols	5
Safety	6
Intended use	6
Safety regulations	7
Safety assessment	7
Use of qualified personnel	7
Warranty and liability	8
Disposal	8
For your safety	8
Unit features	9
Function description	9
Lateral and vertical offset	10
Wiring	11
Guidelines for cable length	11
Recommended cable cross sections	11
Pin assignment	12
Connection to evaluation devices	12
Connection example PNOZ s3	13
Connection example PNOZmulti	14
Teaching in the actuator	14
PSEN sl-0.5n 1.1	14
Installation	14
Note regarding the free-moving actuator PSEN sl-0.5fm	16
Installing on a swing gate	17
Installing on a sliding gate	17
Adjustment	19
Operation	19
Error display through flashing codes	20

Dimensions in mm	22
Technical Details Order No. 570503	23
Technical Details Order No. 570563	27
Supplementary data	30
Radio approval	30
Safety characteristic data	30
Order reference	31
Safety gate system	31
Accessories	31
EC declaration of conformity	31

Introduction

Validity of documentation

This documentation is valid for the product PSEN sl-0.5n 1.1. It is valid until new documentation is published.

This operating manual explains the function and operation, describes the installation and provides guidelines on how to connect the product.

Using the documentation

This document is intended for instruction. Only install and commission the product if you have read and understood this document. The document should be retained for future reference.

Definition of symbols

Information that is particularly important is identified as follows:



DANGER!

This warning must be heeded! It warns of a hazardous situation that poses an immediate threat of serious injury and death and indicates preventive measures that can be taken.



WARNING!

This warning must be heeded! It warns of a hazardous situation that could lead to serious injury and death and indicates preventive measures that can be taken.



CAUTION!

This refers to a hazard that can lead to a less serious or minor injury plus material damage, and also provides information on preventive measures that can be taken.



NOTICE

This describes a situation in which the product or devices could be damaged and also provides information on preventive measures that can be taken. It also highlights areas within the text that are of particular importance.

**INFORMATION**





This gives advice on applications and provides information on special features.

Safety**Intended use**

Safety function of safety switch:

- ▶ 2 safety outputs, each of which supply a high signal when the actuator is in the safety switch's response range.

The safety gate system meets the requirements in accordance with


- ▶ EN 60947-5-3: PDDb with the corresponding actuator PSEN sl0.5 or PSEN sl0.5fm (see Technical details: [System with normal actuator](#)  23], [System with free-moving actuator](#)  27])
- ▶ EN 62061: SIL CL 3
- ▶ EN ISO 13849-1: PL e and Cat. 4
- ▶ EN ISO 14119: Coding level Low, Type 4
- ▶ The safety switch may only be used with the corresponding actuator (see Technical Details: [System with normal actuator](#)  23], [System with free-moving actuator](#)  27]).

The safety level PL e (Cat. 4)/SIL CL 3 is only achieved if


- ▶ the safety outputs use 2-channel processing.

**NOTICE****Positioning of the safety switch**

As the safety switch is not intended for a guard locking device for personal protection, the safeguard monitored by the safety switch must be positioned in a way that the access time corresponds at least to the machine's stopping time.

Because of the low operating distance (see [Technical details](#)  23]) the repetition accuracy of 40 % deviates from the requirement in accordance with EN 60947-5-2 (max. 10%).

The following is deemed improper use in particular:

- ▶ Any component, technical or electrical modification to the product
- ▶ Use of the product outside the areas described in this manual
- ▶ Use of the product outside the technical details (see [Technical details](#)  23]).

**NOTICE****EMC-compliant electrical installation**

The product is designed for use in an industrial environment. The product may cause interference if installed in other environments. If installed in other environments, measures should be taken to comply with the applicable standards and directives for the respective installation site with regard to interference.

**INFORMATION**

The magnet surface and counterplate may heat up. When installing, make sure that heat dissipation is guaranteed.

Safety regulations**Safety assessment**

Before using a unit it is necessary to perform a safety assessment in accordance with the Machinery Directive.

Functional safety is guaranteed for the product as a single component. However, this does not guarantee the functional safety of the overall plant/machine. In order to achieve the required safety level for the overall plant/machine, define the safety requirements for the plant/machine and then define how these must be implemented from a technical and organisational standpoint.

Use of qualified personnel

The products may only be assembled, installed, programmed, commissioned, operated, maintained and decommissioned by competent persons.

A competent person is a qualified and knowledgeable person who, because of their training, experience and current professional activity, has the specialist knowledge required. To be able to inspect, assess and operate devices, systems and machines, the person has to be informed of the state of the art and the applicable national, European and international laws, directives and standards.

It is the company's responsibility only to employ personnel who

- ▶ Are familiar with the basic regulations concerning health and safety / accident prevention,
- ▶ Have read and understood the information provided in this description under "Safety"
- ▶ Have a good knowledge of the generic and specialist standards applicable to the specific application.

Warranty and liability

All claims to warranty and liability will be rendered invalid if

- ▶ The product was used contrary to the purpose for which it is intended
- ▶ Damage can be attributed to not having followed the guidelines in the manual
- ▶ Operating personnel are not suitably qualified
- ▶ Any type of modification has been made (e.g. exchanging components on the PCB boards, soldering work etc.).

Disposal

- ▶ In safety-related applications, please comply with the mission time T_M in the safety-related characteristic data.
- ▶ When decommissioning, please comply with local regulations regarding the disposal of electronic devices (e.g. Electrical and Electronic Equipment Act).

For your safety



DANGER!

Risk to life due to manipulation/defeat of the safeguard

If replacement actuators are obtained, these must be installed as described in the chapter entitled Installation.

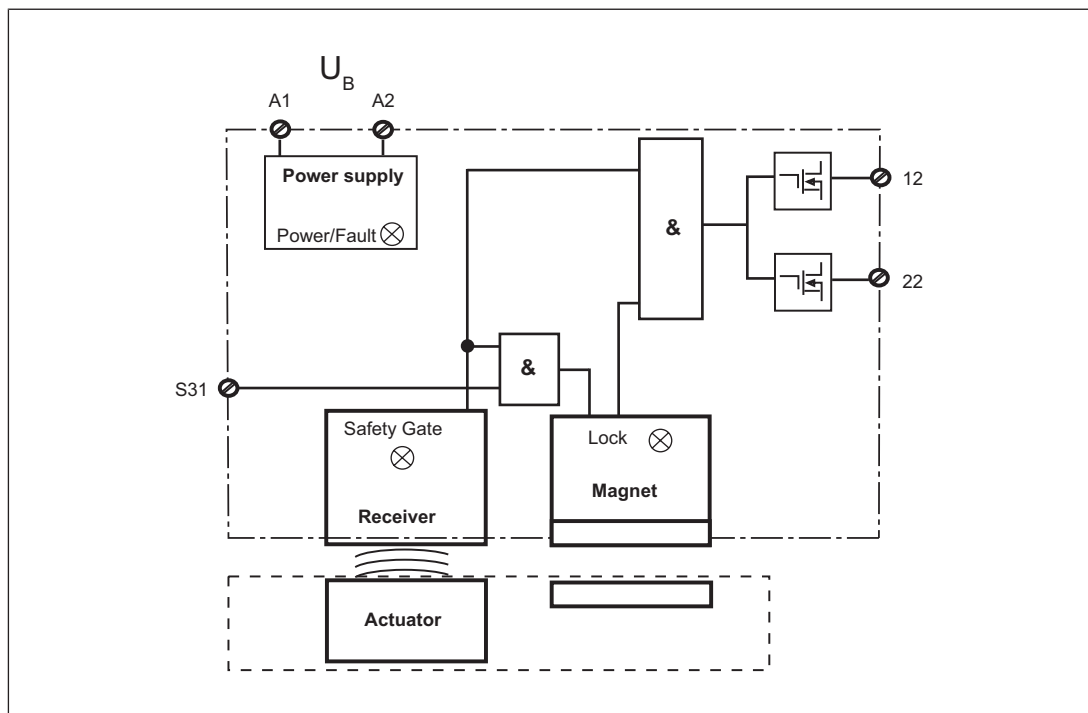
If replacement actuators are used manipulatively or the function of the safeguard is defeated, there is a risk to life when operating the plant or machine! This must be considered in the operator's hazard assessment and the operator must define appropriate measures to exclude manipulation.

- ▶ Do not remove the connector's protective cap until you are just about to connect the unit. This will prevent potential contamination.

Unit features

- ▶ Transponder technology for presence detection
- ▶ Device types Pilz coding type:
 - PSEN sl-0.5n 1.1: coded
- ▶ different actuators available (see [Order reference \[31\]](#))
 - Standard actuator PSEN sl-0.5
 - free-moving actuator PSEN sl-0.5fm for special applications with higher tolerance compensation
- ▶ Dual-channel operation
- ▶ 2 safety outputs
- ▶ Magnetic guard locking for process protection
- ▶ 1 input to switch the locking magnet on/off
- ▶ LEDs for
 - Supply voltage/fault
 - Gate closed
 - State of the magnetic guard locking device
- ▶ M12, 5-pin male connector

Function description



There is a high signal at safety outputs 12 and 22 if the following occur **simultaneously**:

- ▶ The actuator is within the response range (safety gate closed) and
- ▶ There is a high signal at the input S31 (control command for magnetic guard locking) and
- ▶ The holding force of the locking magnet has been tested successfully.

There is a low signal at safety outputs 12 and 22 if **at least one** of the following conditions are met:

- ▶ The actuator is outside the response range or
- ▶ There is a low signal at the input S31 (control command for magnetic guard locking) or
- ▶ The holding force of the locking magnet has not been tested successfully.

Magnetic guard locking device and magnet monitoring

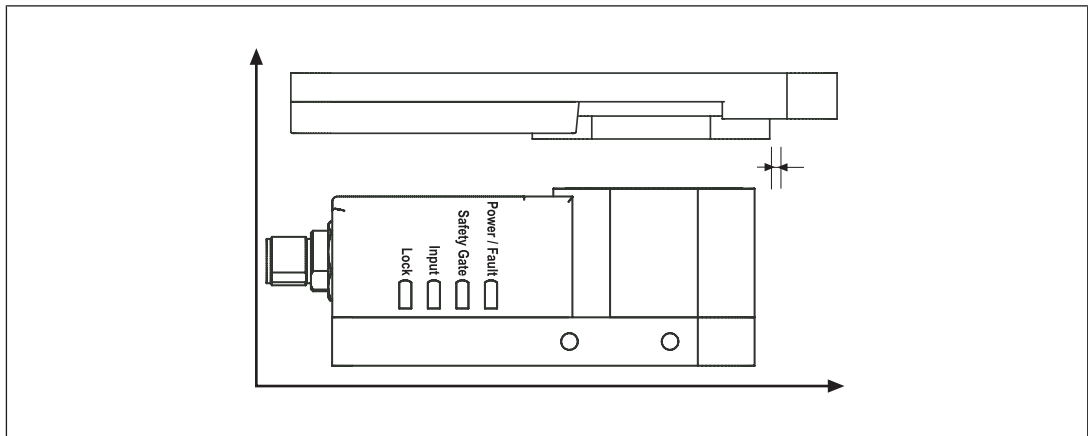
- ▶ The locking magnet is switched on if there is a high signal at input S31 (control command for magnetic guard locking) and the actuator is detected (safety gate closed).
- ▶ The holding force of the locking magnet is tested on power-up.
- ▶ After a signal change at the input S31 to low, wait for at least 500 ms, before supplying a high signal again at the input S31. Also note the max. switching frequency (see Technical details: [System with normal actuator](#) [📖 23], [System with free-moving actuator](#) [📖 27], under electrical data).

If an open winding or a winding short circuit is detected on a locking magnet that is switched on, safety outputs 12 and 22 switch to a low state.

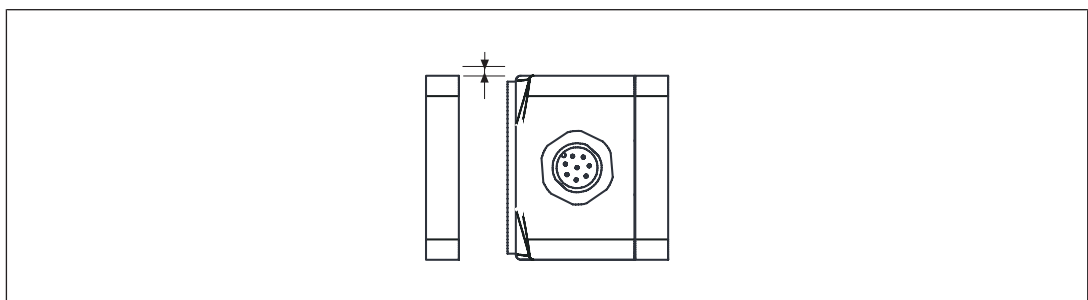
- ▶ For physical reasons, a remanence (residual magnetism) remains after the locking magnet is switched off; this is dissipated the first time the sensor and actuator are separated. Therefore a higher effort is required when opening for the first time.
- ▶ If the safety gate is in a locked condition and is opened by force, the safety outputs will shut down.

Lateral and vertical offset

- ▶ Max. vertical offset: 5 mm



- ▶ Max. lateral offset: 3 mm



Wiring

Please note:

- ▶ You must comply with the specifications stated in the technical details (see Technical details: [System with normal actuator \[23\]](#), [System with free-moving actuator \[27\]](#)).
- ▶ The power supply must meet the regulations for extra low voltages with protective separation (SELV, PELV).
- ▶ The inputs and outputs of the safety switch must have a protective separation to voltages over 60 VDC.



INFORMATION

Only use safety relays with a 24 VDC supply voltage. Safety relays with a wide-range power supply or in AC device versions have internal potential isolation and are not suitable as evaluation devices.

- ▶ Ensure the wiring and EMC requirements of EN 60204-1 are met.

Guidelines for cable length

The max. cable length depends on the voltage drop at the safety switches. The level of voltage drop is determined by the:

- ▶ Cable resistance
- ▶ Current of the device and the current load of the outputs

If the level of the supply voltage at the device connector falls below the minimum permitted value (see Technical details: [System with normal actuator \[23\]](#), [System with free-moving actuator \[27\]](#)), the locking magnet is no longer activated reliably. The "Lock" LED registers an error when guard locking.

Possible remedies:

- ▶ Set the supply voltage constantly to the upper tolerance range (see Technical details: [System with normal actuator \[23\]](#), [System with free-moving actuator \[27\]](#)).
- ▶ Select a higher conductor cross section
- ▶ Reduce load at the outputs, e.g. with evaluation device PNOZ e1.1p

Recommended cable cross sections

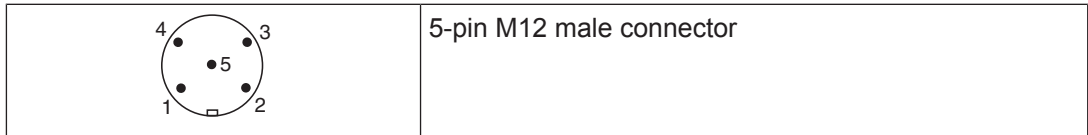
Prerequisite:

- ▶ Supply voltage: 24 V
- ▶ Cable type: LiYY 5x0.25 mm² (79 Ohm/km) from Pilz

Max. load per safety output	100 mA	500 mA
Cable length	65 m	28 m

If cable lengths greater than those stated in the table are required, please contact Pilz.

Pin assignment



PIN	Function	Terminal designation	Cable colour (Pilz cable)
1	+24 V UB	A1	Brown
2	Output, channel1	12	White
3	0 V UB	A2	Blue
4	Output, channel2	22	Black
5	"Lock_Unlock"	S31	Grey

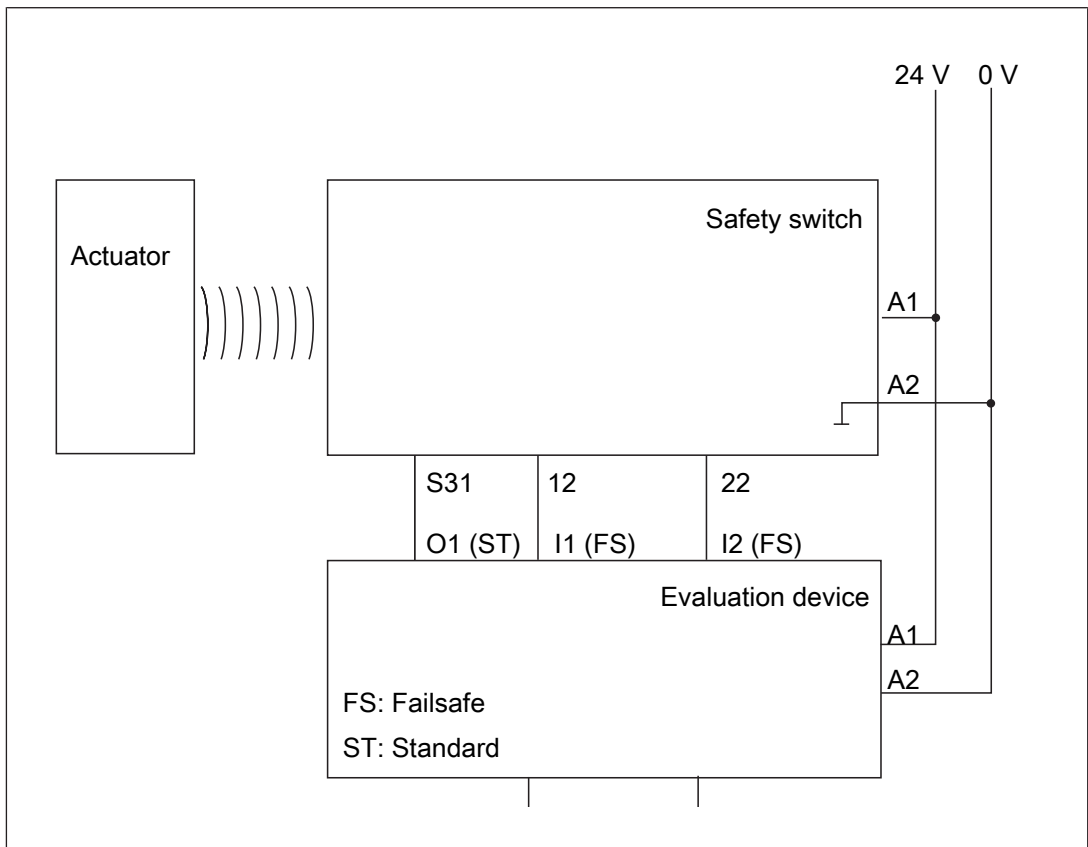
The wire colour also applies for the cable available from Pilz as an accessory.

Connection to evaluation devices

Make sure that the selected evaluation device has the following properties:

- ▶ 2-channel with feasibility monitoring
- ▶ OSSD signals are evaluated

Connection diagram, single connection



The safety switch PSEN sl-0.5n 1.1 can be connected to Pilz evaluation devices, for example.

Suitable Pilz evaluation devices are, for example:

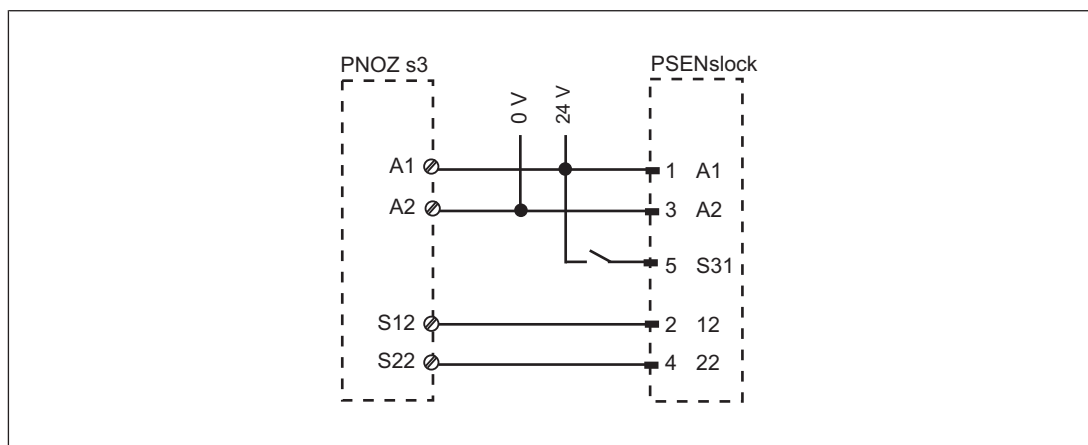
- ▶ PNOZelog for safety gate monitoring
- ▶ PNOZpower for safety gate monitoring
- ▶ PNOZsigma for safety gate monitoring
- ▶ PNOZ X for safety gate monitoring
- ▶ PNOZmulti for safety gate monitoring
Configure the switch in the PNOZmulti Configurator with switch type 3.
- ▶ PSS for safety gate monitoring with standard function block SB064, SB066 or FS_Safety Gate

The correct connection to the respective evaluation device is described in the operating manual for the evaluation device. Make sure that the connection is made in accordance with the specifications in the operating manual for the selected evaluation device.

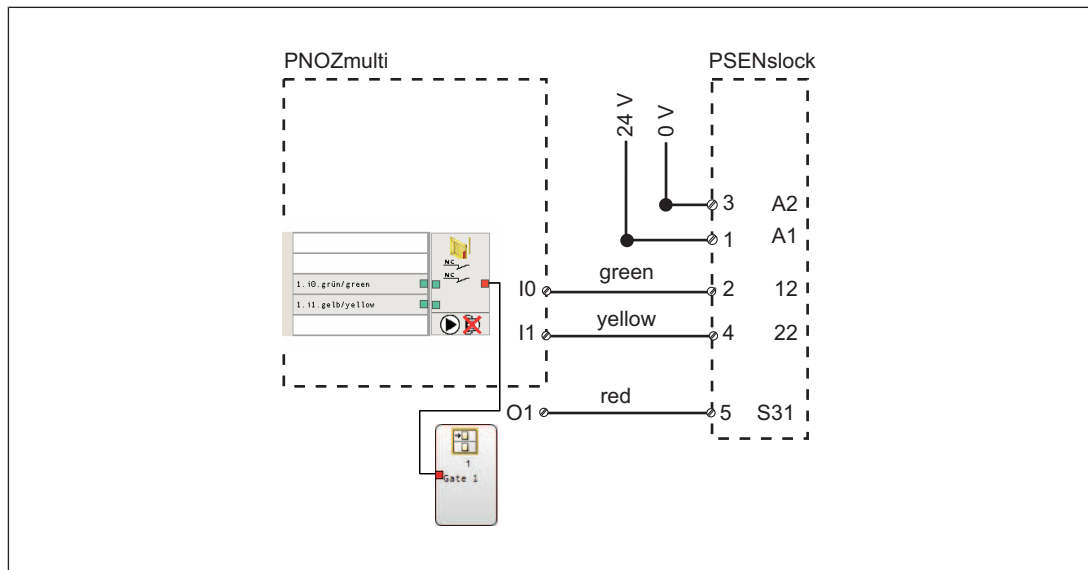
The connections to two evaluation devices are shown on the following pages, by way of example:

- ▶ PNOZ s3 and
- ▶ PNOZmulti

Connection example PNOZ s3



Connection example PNOZmulti



Legend:

I0	Input OSSD
I1	Input OSSD
I2	Signal input
O1	Lock/Unlock

Teaching in the actuator

PSEN sl-0.5n 1.1

Any corresponding Pilz actuator (see Technical details: [System with normal actuator](#) [23], [System with free-moving actuator](#) [27]) is detected as soon as it is brought into the response range.

Installation

- ▶ The safety gate system can be installed on left or right-hinged swing gates or on sliding gates.



WARNING!



Potential loss of safety function due to gross manipulation
Depending on the application, serious injury or death may result.

Use appropriate installation measures to prevent

- The wiring being modified.
- A short circuit being generated on the connector.
- The possibility of using a second actuator to open the safety gate.

**CAUTION!**

The unit's properties may be affected if installed in an environment containing electrically or magnetically conductive material. Please check the operating distances and the assured release distance.

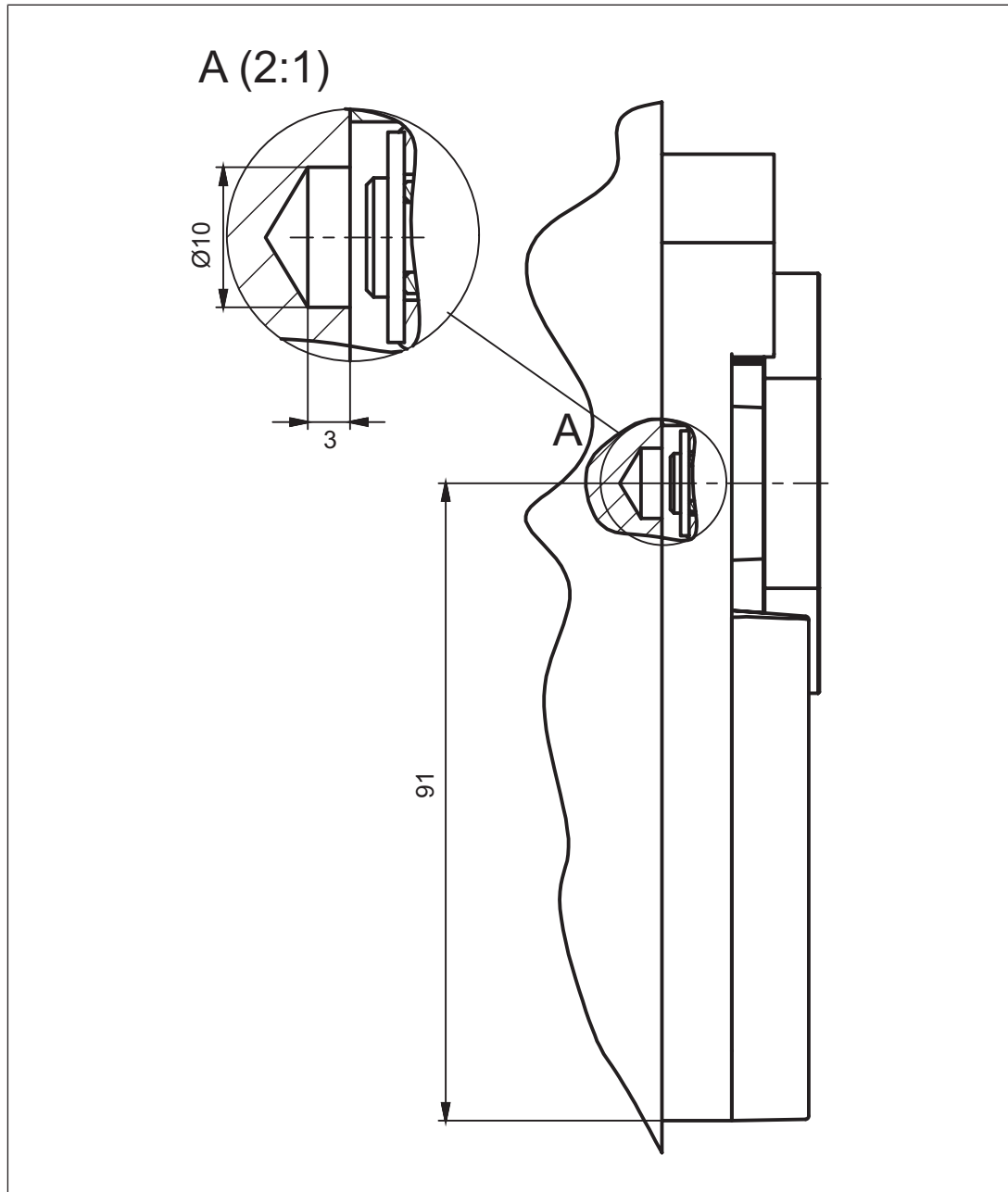
- ▶ Safety switches and actuators must be positioned so that they are secured against a change of position.
- ▶ Also note the max. angular offset (see Technical details: [System with normal actuator](#) [ 23], [System with free-moving actuator](#) [ 27]).
- ▶ The access to the safety switch and actuator has to be possible for maintenance and checking the correct operation.
- ▶ Use reliable fastening elements. A tool is to be required to loosen the fastening elements.
- ▶ Prevent self-loosening of the fastening elements of safety switch and actuator.
- ▶ The fastening of safety switch and actuator has to be sufficiently stable to ensure the proper operation of the safety switch and the actuator.
- ▶ Prevent the safety switch and actuator being exposed to heavy shock or vibration
- ▶ Circumvention of the safety switch in a reasonably foreseeable manner must be prevented.
- ▶ Installation measures in accordance with EN ISO 14119
 - Use permanently secured safety screws with a flat head to attach the safety switch and the actuator (e.g. cheese-head or pan head screws) or rivets.
 - Installation of the safety switch and actuator must be concealed.
- ▶ Alignment errors of the guard must not adversely affect the safety function of the guard.

**INFORMATION**

Mounting brackets are available as [accessories](#) [ 31].

Note regarding the free-moving actuator PSEN sl-0.5fm

The free-moving actuators PSEN sl-0.5fm are fitted with a movable metal plate. For this reason, a recess must be provided in the mounting surface for the screw connection.

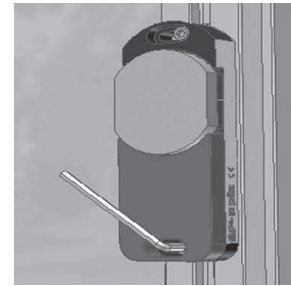
**WARNING!**

Risk of death and serious injury by reaching into the danger zone!

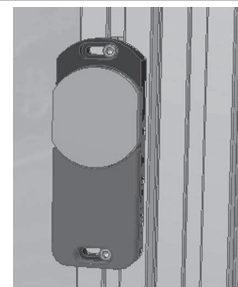
The actuators enable a warped gate to be closed. A gap may occur on the gate as a result. Make sure that the gap remains small enough to exclude the possibility of reaching into the danger zone.

Installing on a swing gate

Align the actuator flush with the edge of the gate at the height required and tighten the screws.



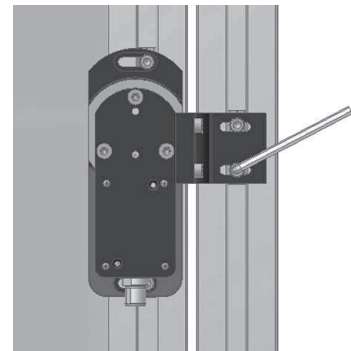
Close gate.



Align the mounting bracket flush with the safety switch and tighten the screws.

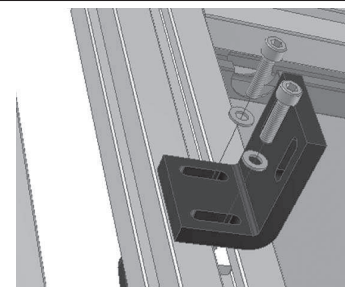


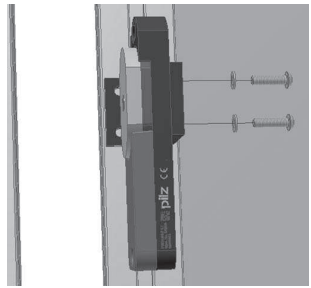
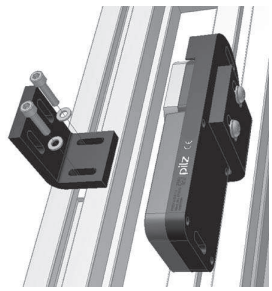
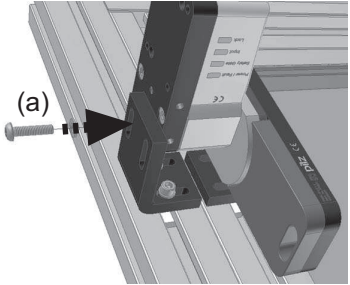
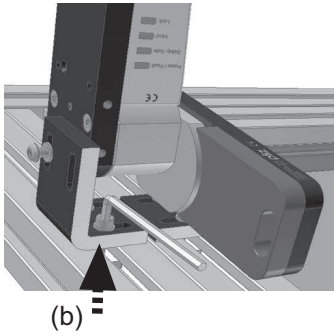
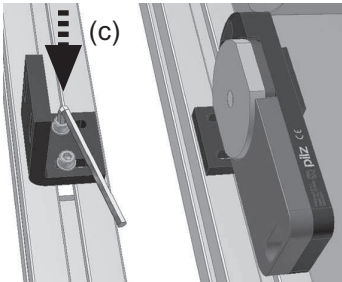
Align the safety switch and mounting bracket with the actuator and tighten the screws.



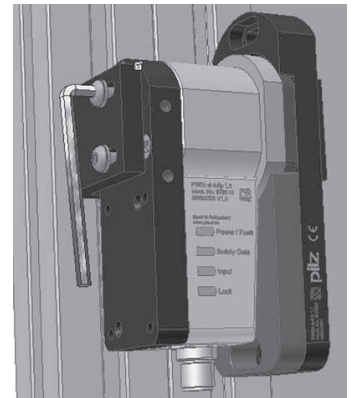
Installing on a sliding gate

Align the actuator mounting bracket flush with the sliding gate and tighten the screws.



<p>Install the actuator at the height required.</p>	
<p>Align the safety switch mounting bracket flush with the frame and fasten with screws. (Important: do not tighten the screws)</p>	
<p>Fix safety switch upright with a screw (a), close gate.</p>	
<p>Align mounting brackets, press firmly together and tighten screw (b).</p>	
<p>Remove the safety switch and tighten screw (c).</p>	

Align the safety switch to the actuator and tighten the screws.



Adjustment

- ▶ The stated operating distances (see Technical details: [System with normal actuator](#) [📖 23], [System with free-moving actuator](#) [📖 27]) only apply when the safety switch and actuator are installed facing each other in parallel. Operating distances may deviate if other arrangements are used.
- ▶ Note the maximum permitted lateral and vertical offset (see [Lateral and vertical offset](#) [📖 10]).

Operation



NOTICE

The safety function should be checked after initial commissioning and each time the plant/machine is changed. The safety functions may only be checked by qualified personnel.



CAUTION!

Contaminated surfaces can reduce the holding force of the electromagnet. Make sure that the contact surfaces are clean.

Status indicators:

- ▶ "Power / Fault" LED illuminates green: The unit is ready for operation
- ▶ "Safety Gate" LED lights up yellow: Actuator is within the response range
- ▶ "Lock" LED lights up green: Magnetic guard locking device active
- ▶ "Input" LED lights up yellow: The unit is ready for operation

Error display through periodic flashing:

- ▶ "Power/Fault" LED lights up red: Error message
Flashing codes for fault diagnostics are output to the "Safety Gate" or "Input" LED (see Error display through flashing codes).
Remedy: Rectify fault and interrupt power supply.

- ▶ "Lock" LED lights up red: Guard locking request is present, but guard locking has not taken place.
This behaviour occurs, for example, when the safety gate is open or the actuator is not within the response range or the holding force is too low.
Remedy: Rectify the cause (e.g. close safety gate), supply a low signal at input S31 and then supply a high signal again after at least 500 ms.
- ▶ "Input" LED lights up yellow: Internal error, change unit.

Please note the different times for

- ▶ The switch-on delay after UB is applied.

Error display through flashing codes

The "Safety Gate" and "Input" LEDs send flash signals; an error code can be established from the number and sequence. The "Power/Fault" LED illuminates red.

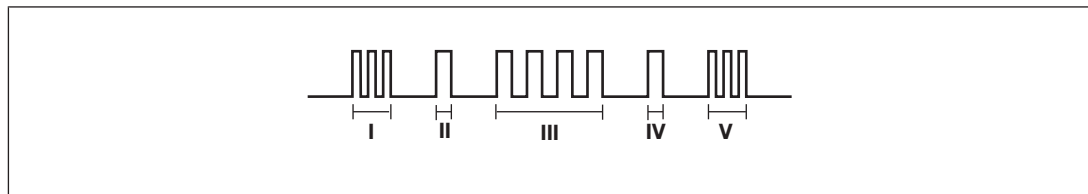
Each error code is indicated by three short flashes of the "Input" or "Safety Gate" LED. After a longer pause, the LED will then flash at one second intervals. The number of LED flashes corresponds to a digit in the error code. The error code can consist of up to 3 digits. The digits are separated by a longer period without flashing. The entire sequence is constantly repeated.

Number of flashes	1 2 3 4 5 6 7 8 9 10 11 12 13 14 15 16
Decimal error code	1 2 3 4 5 6 7 8 9 10 11 12 13 14 15 0

Example:

Error code 1,4,1:

Flash frequency of the "Safety Gate" or "Input" LED



Meaning of flash frequency:

	Flash frequency	Meaning
I	3 times, short	Code for error message
II	Once, for one second each	Code for 1st digit
III	4 times, for one second each	Code for 2nd digit
IV	Once, for one second each	Code for 3rd digit
V	3 times, short	Code for error message repeated

Table of error codes

Error code Decimal	Number of flashes	Description	Remedy
1,4,1	3x short – 1x long – 4x long – 1x long – 3x short	Wiring errors at the inputs or outputs	Check the wiring of the inputs and outputs and rectify wiring errors
1,12	3x short – 1x long – 12x long – 3x short	Wiring error output 12	Check wiring output 12 and rectify wiring error
1,6,3	3x short – 1x long – 6x long – 3x long – 3x short	Wiring error output 12	Check wiring output 12 and rectify wiring error
1,13	3x short – 1x long – 12x long – 3x short	Wiring error output 22	Check wiring output 22 and rectify wiring error
1,6,4	3x short – 1x long – 6x long – 4x long – 3x short	Wiring error output 22	Check wiring output 22 and rectify wiring error
14	3x short – 14x long – 3x short	Wiring error output terminal 12 or capacitive load is too high (cable is too long)	Check wiring output 12 and rectify wiring error Check cable length and shorten it, if necessary (see max. cable length [11])
15	3x short – 15x long – 3x short	Wiring error output terminal 22 or capacitive load is too high (cable is too long)	Check wiring output 22 and rectify wiring error Check cable length and shorten it, if necessary (see max. cable length [11])

Other flashing codes signal an internal error. Remedy: Change device.

Dimensions in mm

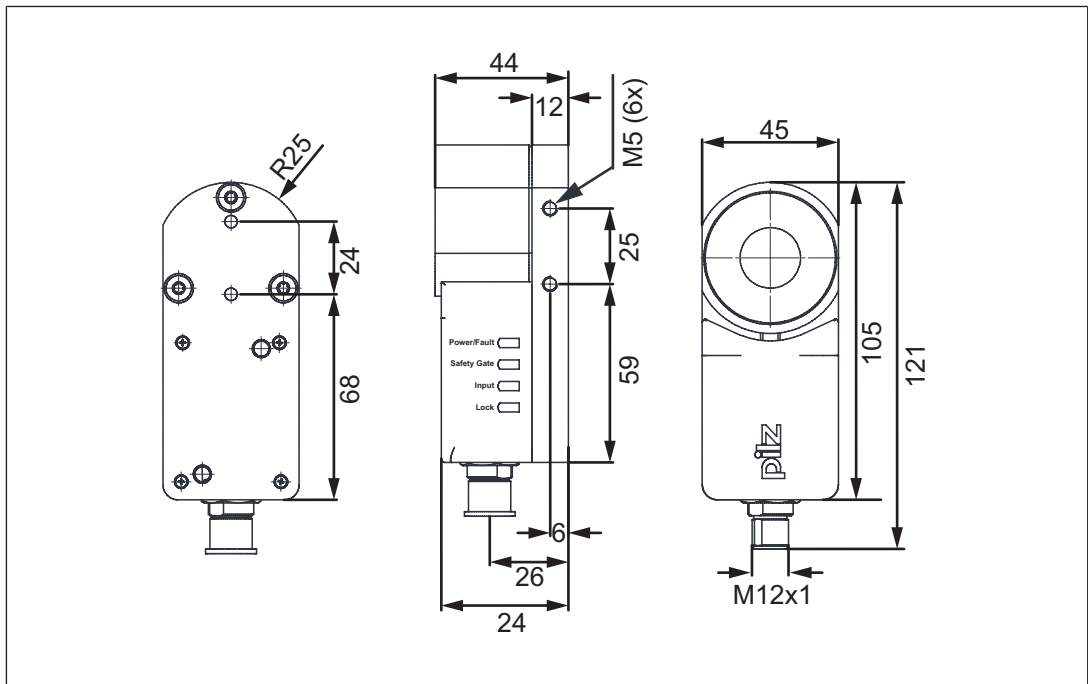


Fig.: Safety switch and locking magnet

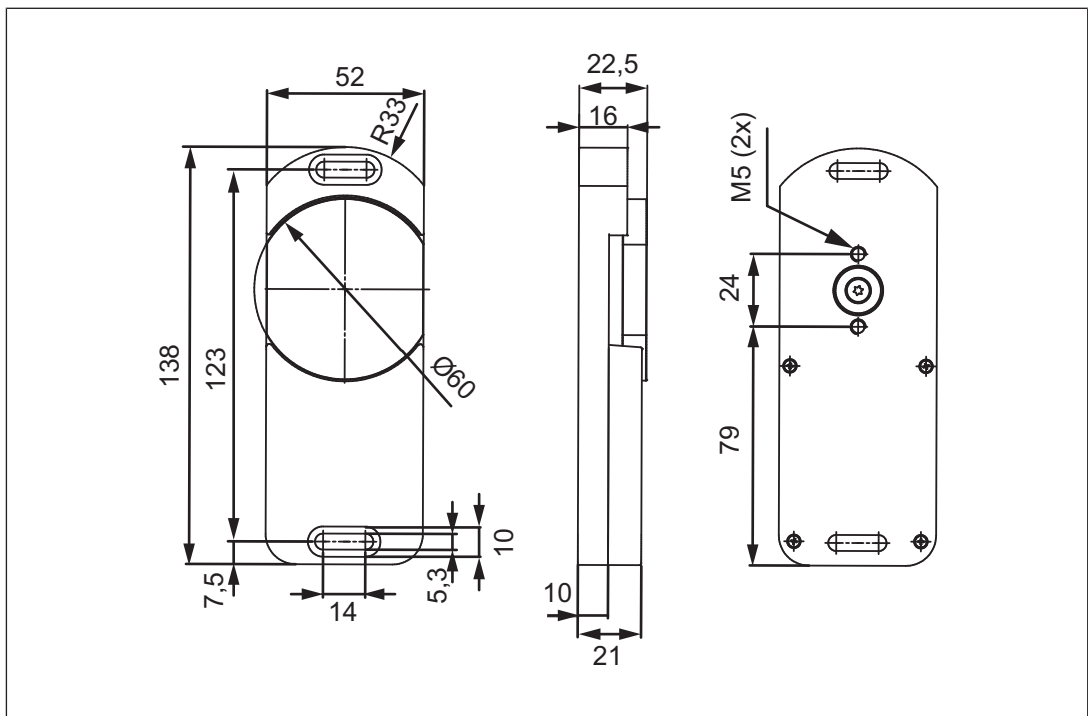


Fig.: Actuator

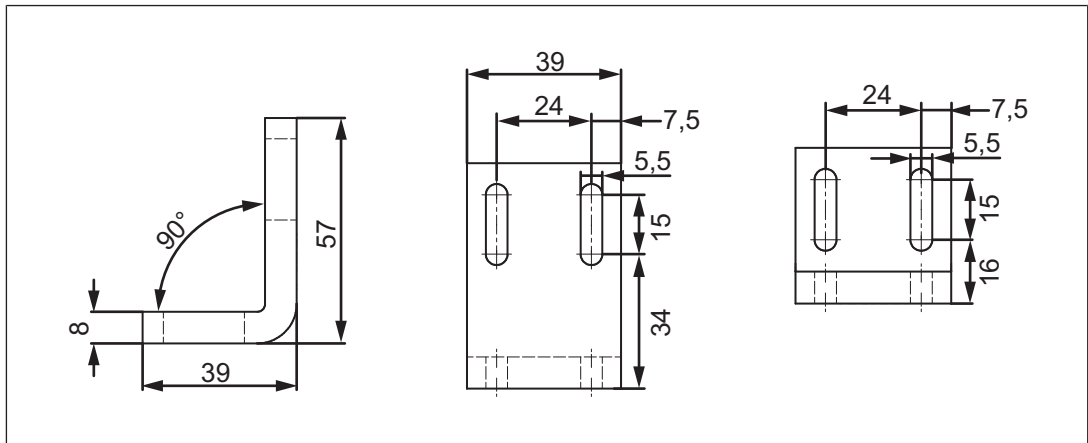


Fig.: Mounting bracket for sliding gate (see [Accessories](#) [31])

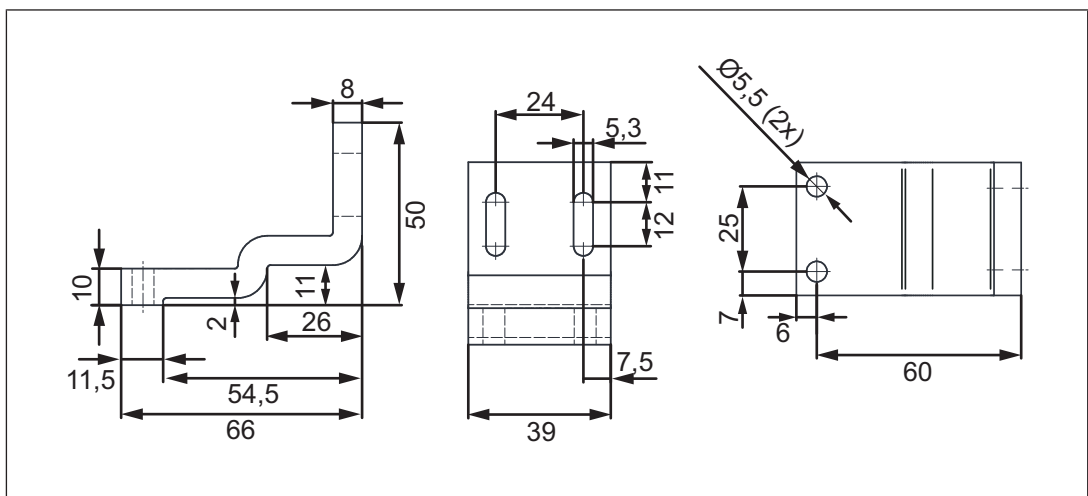


Fig.: Mounting bracket for swing gate (see [Accessories](#) [31])

Technical Details Order No. 570503

General	
Approvals	CE, EAC (Eurasian), FCC, IC, TÜV, cULus Listed
Sensor's mode of operation	Transponder
Coding level in accordance with EN ISO 14119	Low
Design in accordance with EN ISO 14119	4
Classification in accordance with EN 60947-5-3	PDDB
Pilz coding type	Coded
Transponder	
Frequency band	122 kHz - 128 kHz
Max. transmitter output	15 mW

Electrical data	
Supply voltage	
Voltage	24 V
Kind	DC
Voltage tolerance	-15 %/+10 %
Output of external power supply (DC)	4,8 W
Max. inrush current at UB	0,6 A
Max. switching frequency	1 Hz
Max. cable capacitance at the safety outputs	
No-load, PNOZ with relay contacts	40 nF
PNOZmulti, PNOZelog, PSS	70 nF
No-load current	40 mA
Semiconductor outputs	
OSSD safety outputs	2
Switching current per output	500 mA
Breaking capacity per output	12 W
Short circuit-proof	yes
Residual current at outputs	250 µA
Voltage drop at OSSDs	1,5 V
Conditional rated short circuit current	100 A
Lowest operating current	0 mA
Utilisation category in accordance with EN 60947-1	DC-12
Times	
Test pulse duration, safety outputs	450 µs
Switch-on delay	
after UB is applied	1,6 s
Actuator typ.	500 ms
Delay-on de-energisation	
Actuator typ.	40 ms
Actuator max.	260 ms
Risk time in accordance with EN 60947-5-3	260 ms
Supply interruption before de-energisation	15 ms
Environmental data	
Temperature of metal surface at ambient temperature: 25 °C	60 °C
Ambient temperature	
In accordance with the standard	EN 60068-2-14
Temperature range	-25 - 55 °C
Storage temperature	
In accordance with the standard	EN 60068-2-1/-2
Temperature range	-25 - 70 °C
Climatic suitability	
In accordance with the standard	EN 60068-2-78
Humidity	93 % r. h. at 40 °C
EMC	EN 55011: class A, EN 60947-5-3, EN 62061

Environmental data	
Vibration	
In accordance with the standard	EN 60947-5-2
Frequency	10 - 55 Hz
Amplitude	1 mm
Shock stress	
In accordance with the standard	EN 60068-2-27
Number of shocks	3
Acceleration	30g
Duration	11 ms
In accordance with the standard	EN 60068-2-27
Number of shocks	500
Acceleration	10g
Duration	16 ms
Airgap creepage	
Overvoltage category	III
Pollution degree	3
Rated insulation voltage	75 V
Rated impulse withstand voltage	1 kV
Protection type	
Housing	IP67
Mechanical data	
Holding force FZ _h in accordance with ISO 14119	500 N
Magnetic holding force on	500 N
Magnetic holding force off	30 N
Max. vertical offset	5 mm
Max. lateral offset	3 mm
Max. angular offset	2,5 deg
Actuator 1	PSEN sl-0.5 1.1
Operating distances	
Assured operating distance S _{ao}	1 mm
Typical operating distance S _o	7 mm
Assured release distance S _{ar}	15 mm
Repetition accuracy switching distances	40 %
Typ. Hysteresis	3 mm
Min. distance between safety switches	30 mm
Sensor flush installation in accordance with EN 60947-5-2	Yes, follow installation guidelines
Connection type	M12, 5-pin male connector
Cable	LiYY 5 x 0.25 mm²
Material	
Top	PBT
Anchor plate	Nickel-plated steel
Base plate	Anticorodal, hard anodised
Actuator	Anticorodal, hard anodised
Max. torque setting for fixing screws	3 Nm

Mechanical data

Dimensions

Height	122 mm
Width	45 mm
Depth	44 mm

Actuator dimensions

Height	138 mm
Width	52 mm
Depth	23 mm

Weight of safety switch	570 g
-------------------------	--------------

Weight of actuator	375 g
--------------------	--------------

Weight	950 g
--------	--------------

Where standards are undated, the 2015-04 latest editions shall apply.

Technical Details Order No. 570563

General	
Approvals	CE, EAC (Eurasian), FCC, IC, TÜV, cULus Listed
Sensor's mode of operation	Transponder
Coding level in accordance with EN ISO 14119	Low
Design in accordance with EN ISO 14119	4
Classification in accordance with EN 60947-5-3	PDDB
Pilz coding type	Coded
Transponder	
Frequency band	122 kHz - 128 kHz
Max. transmitter output	15 mW
Electrical data	
Supply voltage	
Voltage	24 V
Kind	DC
Voltage tolerance	-15 %/+10 %
Output of external power supply (DC)	4,8 W
Max. inrush current at UB	0,6 A
Max. switching frequency	1 Hz
Max. cable capacitance at the safety outputs	
No-load, PNOZ with relay contacts	40 nF
PNOZmulti, PNOZelog, PSS	70 nF
No-load current	40 mA
Semiconductor outputs	
OSSD safety outputs	2
Switching current per output	500 mA
Breaking capacity per output	12 W
Short circuit-proof	yes
Residual current at outputs	250 µA
Voltage drop at OSSDs	1,5 V
Conditional rated short circuit current	100 A
Lowest operating current	0 mA
Utilisation category in accordance with EN 60947-1	DC-12
Times	
Test pulse duration, safety outputs	450 µs
Switch-on delay	
after UB is applied	1,6 s
Actuator typ.	500 ms
Delay-on de-energisation	
Actuator typ.	40 ms
Actuator max.	260 ms
Risk time in accordance with EN 60947-5-3	260 ms
Supply interruption before de-energisation	15 ms

Environmental data	
Temperature of metal surface at ambient temperature: 25 °C	60 °C
Ambient temperature	
In accordance with the standard	EN 60068-2-14
Temperature range	-25 - 55 °C
Storage temperature	
In accordance with the standard	EN 60068-2-1/-2
Temperature range	-25 - 70 °C
Climatic suitability	
In accordance with the standard	EN 60068-2-78
Humidity	93 % r. h. at 40 °C
EMC	EN 55011: class A, EN 60947-5-3, EN 62061
Vibration	
In accordance with the standard	EN 60947-5-2
Frequency	10 - 55 Hz
Amplitude	1 mm
Shock stress	
In accordance with the standard	EN 60068-2-27
Number of shocks	3
Acceleration	30g
Duration	11 ms
In accordance with the standard	EN 60068-2-27
Number of shocks	500
Acceleration	10g
Duration	16 ms
Airgap creepage	
Overvoltage category	III
Pollution degree	3
Rated insulation voltage	75 V
Rated impulse withstand voltage	1 kV
Protection type	
Housing	IP67
Mechanical data	
Holding force FZh in accordance with ISO 14119	500 N
Magnetic holding force on	500 N
Magnetic holding force off	30 N
Max. vertical offset	5 mm
Max. lateral offset	3 mm
Max. angular offset	2,5 deg
Actuator 1	PSEN sl-0.5fm 1.1

Mechanical data	
Operating distances	
Assured operating distance S_{ao}	1 mm
Typical operating distance S_o	7 mm
Assured release distance S_{ar}	15 mm
Repetition accuracy switching distances	40 %
Typ. Hysteresis	3 mm
Min. distance between safety switches	30 mm
Sensor flush installation in accordance with EN 60947-5-2	Yes, follow installation guidelines
Connection type	M12, 5-pin male connector
Cable	LiYY 5 x 0.25 mm²
Material	
Top	PBT
Anchor plate	Nickel-plated steel
Base plate	Anticorodal, hard anodised
Actuator	Anticorodal, hard anodised
Max. torque setting for fixing screws	3 Nm
Dimensions	
Height	122 mm
Width	45 mm
Depth	44 mm
Actuator dimensions	
Height	138 mm
Width	52 mm
Depth	23 mm
Weight of safety switch	570 g
Weight of actuator	365 g
Weight	940 g

Where standards are undated, the 2015-04 latest editions shall apply.

Supplementary data

Radio approval

USA/Canada

FCC ID: VT8-PSENSLN
IC: 7482A-PSENSLN

FCC/IC-Requirements:
 This product complies with Part 15 of the FCC Rules and with Industry Canada licence-exempt RSS standards. Operation is subject to the following two conditions:
 1) this product may not cause harmful interference, and
 2) this product must accept any interference received, including interference that may cause undesired operation.

Changes or modifications made to this product not expressly approved by Pilz may void the FCC authorization to operate this equipment.

NOTE: This equipment has been tested and found to comply with the limits for a Class A digital device, pursuant to Part 15 of the FCC Rules. These limits are designed to provide reasonable protection against harmful interference when the equipment is operated in a commercial environment. This equipment generates, uses, and can radiate radio frequency energy and, if not installed and used in accordance with the instruction manual, may cause harmful interference to radio communications. Operation of this equipment in a residential area is likely to cause harmful interference in which case the user will be required to correct the interference at his own expense.

Le présent produit est conforme aux CNR d'Industrie Canada applicables aux appareils radio exempts de licence. L'exploitation est autorisée aux deux conditions suivantes:
 (1) le produit ne doit pas produire de brouillage, et
 (2) l'utilisateur de le produit doit accepter tout brouillage radioélectrique subi, même si le brouillage est susceptible d'en compromettre le fonctionnement.

Safety characteristic data

NOTICE

You must comply with the safety-related characteristic data in order to achieve the required safety level for your plant/machine.

Operating Mode	EN ISO 13849-1: 2015 PL	EN ISO 13849-1: 2015 Category	EN 62061 SIL CL	EN 62061 PFH _D [1/h]	IEC 61511 SIL	IEC 61511 PFD	EN ISO 13849-1: 2015 T _M [year]
2-ch. OSSD	PL e	Cat. 4	SIL CL 3	1,57E-09	SIL 3	1,38E-04	20

All the units used within a safety function must be considered when calculating the safety characteristic data.

INFORMATION

A safety function's SIL/PL values are **not** identical to the SIL/PL values of the units that are used and may be different. We recommend that you use the PAScal software tool to calculate the safety function's SIL/PL values.

Order reference

Safety gate system

Product type	Features	Connection type	Order No.
PSEN sl-0.5n 1.1 / PSEN sl-0.5	Safety gate system, coded	M12, 5-pin connector	570 503
PSEN sl-0.5n 1.1 / PSEN sl-0.5fm	Safety gate system with free-moving actuator, coded	M12, 5-pin connector	570 563

Accessories

Product type	Features	Order no.
PSEN sl bracket swing door	Mounting bracket for swing gates and folding gates	570 550
PSEN sl bracket sliding door	Mounting bracket for sliding gates	570 551

EC declaration of conformity

This product/these products meet the requirements of the directive 2006/42/EC for machinery of the European Parliament and of the Council. The complete EC Declaration of Conformity is available on the Internet at www.pilz.com/downloads.

Representative: Norbert Fröhlich, Pilz GmbH & Co. KG, Felix-Wankel-Str. 2, 73760 Ostfildern, Germany